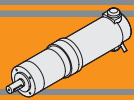


Indice	Index	Pag. Page
Caratteristiche tecniche	<i>Technical features</i>	L2
Designazione	<i>Designation</i>	L2
Versioni	<i>Versions</i>	L2
Simbologia	<i>Symbols</i>	L2
Lubrificazione	<i>Lubrication</i>	L2
Carichi radiali	<i>Radial loads</i>	L3
Rapporti	<i>Ratios</i>	L3
Rendimento	<i>Efficiency</i>	L3
Dati tecnici	<i>Technical data</i>	L4
Motori applicabili	<i>IEC Motor adapters</i>	L10
Dimensioni	<i>Dimensions</i>	L11



Caratteristiche tecniche

Technical features

Le caratteristiche principali dei motoriduttori a corrente continua della serie ECP sono:


The main features of ECP D.C. gearmotors range are:

- Alimentazione in bassa tensione 12/24 Vcc
- Possibilità di montaggio encoder
- Potenze motore disponibili da 30 a 800W S2
- Magneti in ferrite
- Entrata ed uscita coassiali
- Design compatto
- Lubrificazione permanente a grasso
- Possono essere installati in qualunque posizione di montaggio.

- Low voltage power supply 12/24 Vdc
- Suitable for encoder assembly
- Motor power ratings available from 30 up to 800W S2
- Ferrite magnets
- Coaxial arrangement of the input and output
- Compact design
- Permanent grease oil long-life lubrication
- Can be intalled in all mounting position.

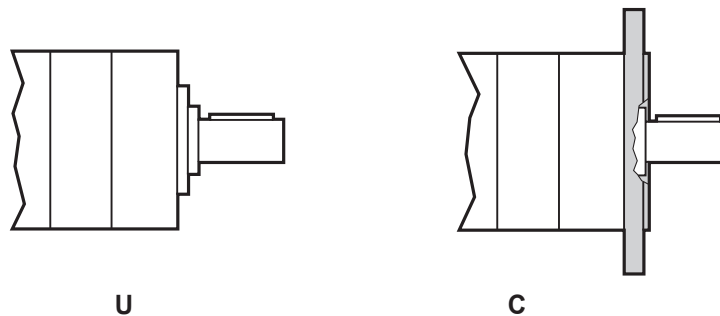
Designazione

Designation

MOTORIDUTTORE / GEARMOTOR													
ECP	070/62								2	C	90	34.97	120
Tipo Type	Grandezza Size								Stadi riduttore Gearbox stages	Versione riduttore Gearbox Version	Flangia Uscita Output flange	Rapporto Ratio	Versione Motore Motor Version
	020/42	035/42	050/42	070/52	100/52	180/52	350/62	600/72	1	U	80	Vedere tabella See tables	120
				070/62	100/62	180/62	350/72	600/81					
				070/72	100/72	180/72	350/81	600/72					
				070/81	100/81	180/81	350/105	600/105					
					180/105	350/120	600/120	3	C	105 120		240 24E	

Versioni

Versions



Simbologia

Symbols

n_1	[min ⁻¹]	Velocità in ingresso / Input speed
n_2	[min ⁻¹]	Velocità in uscita / Output speed
i		Rapporto di riduzione / Ratio
P_1	[kW]	Potenza in entrata / Input power
M_2	[Nm]	Coppia in uscita in funzione di P_1 / Output torque referred to P_1

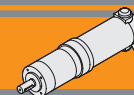
sf		Fattore di servizio / Service factor
Rd	%	Rendimento dinamico / Dynamic efficiency
A_2	[N]	Carico assiale ammissibile in uscita / Permitted output axial load
R_2	[N]	Carico radiale ammissibile in uscita / Permitted output radial load

Lubrificazione

Lubrication

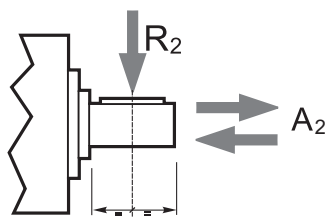
I riduttori epicicloidali sono lubrificati in modo permanente, non richiedono quindi ulteriore manutenzione. Questo gli consente di essere installati praticamente ovunque. La temperatura di funzionamento consentita va da -30 °C a + 140 °C; per applicazioni particolari, possono essere adottate misure per raggiungere livelli di temperatura maggiori.

Planetary gearboxes are life-time lubricated with grease, therefore they are maintenance free. They can be installed in any location. The temperature range is from -30 °C up to + 140 °C; for special applications, measures can be taken for higher temperature range.



Carichi radiali

Radial loads



Numero di stadi Stages number	Carichi Radiali R_2 [N] / Radial Load R_2 [N]						
	P42	P52	P62	P72	P81	P105	P120
1	160	200	240	320	400	600	600
2	230	320	360	480	600	900	900
3	300	450	520	760	1000	1500	1500

Numero di stadi Stages number	Carichi Assiali A_2 [N] / Axial Load A_2 [N]						
	P42	P52	P62	P72	P81	P105	P120
1	50	60	70	70	80	120	120
2	80	100	100	100	120	180	180
3	110	150	150	160	200	300	300

Rapporti

Ratios

Numero di stadi Stages number	Per tutte le grandezze di riduttori della serie P For all gearbox sizes of P range
	Rapporti / Ratios
1	3.70
	4.28
	5.18
2	6.75
	13.73
	15.88
	18.36
	19.20
	22.20
	25.01
	26.85
3	28.93
	34.97
	45.56
	50.89
	58.85
	68.06
	71.16
	78.71
	92.70
	95.17
	99.50
	107.20
	115.07
	123.97
	129.62
139.13	
149.90	
168.84	
181.24	
195.26	
236.09	
307.54	

Rapporti preferenziali
Preferred ratios

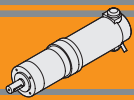
Disponibile a 4 stadi con rapporti fino a 2076
Available 4 stages with ratio up to 2076

Rendimento

Efficiency

Rendimento Efficiency	Per tutte le grandezze di riduttori della serie P For all gearbox sizes of P range		
	Numero di stadi / Stages number		
	1	2	3
Rd %	80	75	70

Rendimento medio per velocità nominale in ingresso 3000 rpm
Average efficiency with input rated speed 3000 rpm



Dati tecnici per servizio S2

Technical data for S2 duty

P ₁ [W]	n ₂ [min ⁻¹]	M ₂ [Nm]	sf	i		Versione motore Motor version
-----------------------	--	------------------------	----	---	---	----------------------------------

P ₁ [W]	n ₂ [min ⁻¹]	M ₂ [Nm]	sf	i		Versione motore Motor version
-----------------------	--	------------------------	----	---	---	----------------------------------

30

(2850 min ⁻¹)	770	0.24	12.7	3.70	ECP020/421	120/24E		
	666	0.27	11.0	4.28				
	550	0.33	9.0	5.18				
	422	0.43	6.9	6.75				
	208	0.82	9.1	13.73			ECP020/422	120/24E
	179	0.95	7.9	15.88				
	155	1.1	6.8	18.36				
	148	1.2	6.5	19.20				
	128	1.3	5.6	22.20				
	114	1.5	5.0	25.01				
106	1.6	4.7	26.85					
99	1.7	4.3	28.93					
81	2.1	3.6	34.97					
63	2.7	2.7	45.56					
	56	2.8	5.3	50.89	ECP020/423	120/24E		
	48	3.3	4.6	58.85				
	42	3.8	3.9	68.06				
	40	4.0	3.8	71.16				
	36	4.4	3.4	78.71				
	31	5.2	2.9	92.70				
	30	5.3	2.8	95.17				
	29	5.6	2.7	99.50				
	27	6.0	2.5	107.20				
	25	6.4	2.3	115.07				
	23	6.9	2.2	123.97				
	22	7.3	2.1	129.62				
	20	7.8	1.9	139.13				
	19	8.4	1.8	149.90				
	17	9.5	1.6	168.84				
	16	10	1.5	181.24				
	15	11	1.4	195.26				
	12	13	1.1	236.09				
	9.3	17	0.9	307.54				

55

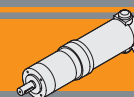
(3000 min ⁻¹)	32	12	1.3	95.17	ECP035/423	120/240
	30	13	1.2	99.50		
	28	14	1.1	107.20		
	26	14	1.0	115.07		
	24	16	1.0	123.97		
	23	16	0.9	129.62		
	22	18	0.9	139.13		
	20	19	0.8	149.90		
	18	21	0.7	168.84		
	17	21	0.7	181.24		
	15	21	0.7	195.26		
	13	21	0.7	236.09		
	10	21	0.7	307.54		

70

(3000 min ⁻¹)	811	0.65	4.6	3.70	ECP050/421	120/240		
	701	0.75	4.0	4.28				
	579	0.91	3.3	5.18				
	444	1.2	2.5	6.75				
	218	2.3	3.3	13.73			ECP050/422	120/240
	189	2.6	2.9	15.88				
	163	3.0	2.5	18.36				
	156	3.2	2.4	19.20				
	135	3.7	2.0	22.20				
	120	4.1	1.8	25.01				
112	4.4	1.7	26.85					
104	4.8	1.6	28.93					
86	5.8	1.3	34.97					
66	7.5	1.0	45.56					
	59	7.8	1.9	50.89	ECP050/423	120/240		
	51	9.1	1.7	58.85				
	44	10	1.4	68.06				
	42	11	1.4	71.16				
	38	12	1.2	78.71				
	32	14	1.1	92.70				
	32	15	1.0	95.17				
	30	15	1.0	99.50				
	28	17	0.9	107.20				
	26	18	0.8	115.07				
	24	19	0.8	123.97				
	23	20	0.8	129.62				
	22	21	0.7	139.13				
	20	21	0.7	149.90				
	18	21	0.7	168.84				
	17	21	0.7	181.24				
	15	21	0.7	195.26				
	13	21	0.7	236.09				
	9.8	21	0.7	307.54				
	163	3.0	4.0	18.36	ECP050/522	120/240		
	156	3.2	3.8	19.20				
	135	3.7	3.3	22.20				
	120	4.1	2.9	25.01				
	112	4.4	2.7	26.85				
	104	4.8	2.5	28.93				
	86	5.8	2.1	34.97				
	66	7.5	1.6	45.56				


55


(3000 min ⁻¹)	811	0.53	5.6	3.70	ECP035/421	120/240		
	701	0.62	4.9	4.28				
	579	0.75	4.0	5.18				
	444	0.97	3.1	6.75				
	218	1.9	4.0	13.73			ECP035/422	120/240
	189	2.1	3.5	15.88				
	163	2.5	3.0	18.36				
	156	2.6	2.9	19.20				
	135	3.0	2.5	22.20				
	120	3.4	2.2	25.01				
112	3.6	2.1	26.85					
104	3.9	1.9	28.93					
86	4.7	1.6	34.97					
65.8	6.2	1.2	45.56					
	59	6.4	2.3	50.89	ECP035/423	120/240		
	51	7.4	2.0	58.85				
	44	8.6	1.7	68.06				
	42	9.0	1.7	71.16				
	38	9.9	1.5	78.71				
	32	12	1.3	92.70				





Dati tecnici per servizio S2


Technical data for S2 duty

P_1 [W]	n_2 [min ⁻¹]	M_2 [Nm]	sf	i		Versione motore Motor version
70						
(3000 min ⁻¹)	59	7.8	3.2	50.89	ECP050/523	120/240
	51	9.1	2.8	58.85		
	44	10	2.4	68.06		
	42	11	2.3	71.16		
	38	12	2.1	78.71		
	32	14	1.8	92.70		
	32	15	1.7	95.17		
	30	15	1.6	99.50		
	28	17	1.5	107.20		
	26	18	1.4	115.07		
	24	19	1.3	123.97		
	23	20	1.3	129.62		
	22	21	1.2	139.13		
	20	23	1.1	149.90		
	18	26	1.0	168.84		
	17	28	0.9	181.24		
	15	30	0.8	195.26		
	13	36	0.7	236.09		
	9.8	36	0.7	307.54		

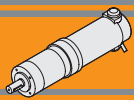
P_1 [W]	n_2 [min ⁻¹]	M_2 [Nm]	sf	i		Versione motore Motor version
100						
(3000 min ⁻¹)	120.0	5.8	4.3	25.01	ECP070/622	120/240
	112	6.2	4.0	26.85		
	104	6.7	3.7	28.93		
	86	8.1	3.1	34.97		
	66	11	2.4	45.56		
	59	11	4.5	50.89	ECP070/623	120/240
	51	13	3.9	58.85		
	44	15	3.4	68.06		
	42	15	3.2	71.16		
	38	17	2.9	78.71		
	32	20	2.5	92.70		
	32	21	2.4	95.17		
	30	22	2.3	99.50		
	28	23	2.1	107.20		
	26	25	2.0	115.07		
	24	27	1.9	123.97		
	23	28	1.8	129.62		
	22	30	1.7	139.13		
	20	33	1.5	149.90		
	18	37	1.4	168.84		
	17	39	1.3	181.24		
	15	42	1.2	195.26		
	13	51	1.0	236.09		
	9.8	67	0.7	307.54		

P_1 [W]	n_2 [min ⁻¹]	M_2 [Nm]	sf	i		Versione motore Motor version
100						
(3000 min ⁻¹)	811	0.92	4.4	3.70	ECP070/521	120/240
	701	1.1	3.8	4.28		
	579	1.3	3.1	5.18		
	444	1.7	2.4	6.75		
	218	3.2	3.8	13.73	ECP070/522	120/240
	189	3.7	3.3	15.88		
	163	4.3	2.8	18.36		
	156	4.5	2.7	19.20		
	135	5.2	2.3	22.20		
	120	5.8	2.1	25.01		
	112	6.2	1.9	26.85		
	104	6.7	1.8	28.93		
	86	8.1	1.5	34.97		
	66	11	1.1	45.56		
	59	11	2.3	50.89	ECP070/523	120/240
	51	13	2.0	58.85		
	44	15	1.7	68.06		
	42	15	1.6	71.16		
	38	17	1.5	78.71		
	32	20	1.2	92.70		
	32	21	1.2	95.17		
	30	22	1.2	99.50		
	28	23	1.1	107.20		
	26	25	1.0	115.07		
	24	27	0.9	123.97		
	23	28	0.9	129.62		
	22	30	0.8	139.13		
	20	33	0.8	149.90		
	18	36	0.7	168.84		
	17	36	0.7	181.24		
	15	36	0.7	195.26		
	13	36	0.7	236.09		
	9.8	36	0.7	307.54		

P_1 [W]	n_2 [min ⁻¹]	M_2 [Nm]	sf	i		Versione motore Motor version
	32	20	4.2	92.70	ECP070/723	120/240
	32	21	4.1	95.17		
	30	22	3.9	99.50		
	28	23	3.6	107.20		
	26	25	3.4	115.07		
	24	27	3.1	123.97		
	23	28	3.0	129.62		
	22	30	2.8	139.13		
	20	33	2.6	149.90		
	18	37	2.3	168.84		
	17	39	2.1	181.24		
	15	42	2.0	195.26		
	13	51	1.6	236.09		
	9.8	67	1.3	307.54		
	20	33	3.7	149.90	ECP070/813	120/240
	18	37	3.3	168.84		
	17	39	3.1	181.24		
	15	42	2.8	195.26		
	13	51	2.3	236.09		
	9.8	67	1.8	307.54		


P_1 [W]	n_2 [min ⁻¹]	M_2 [Nm]	sf	i		Versione motore Motor version
140						
(3000 min ⁻¹)	811	1.3	3.1	3.70	ECP100/521	120/240/24E
	701	1.5	2.7	4.28		
	579	1.8	2.2	5.18		
	444	2.3	1.7	6.75		
	218	4.4	2.7	13.73	ECP100/522	120/240/24E
	189	5.1	2.3	15.88		
	163	5.9	2.0	18.36		
	156	6.2	1.9	19.20		
	135	7.2	1.7	22.20		


ECP

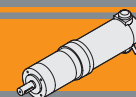


Dati tecnici per servizio S2

Technical data for S2 duty



	P_1 [W]	n_2 [min ⁻¹]	M_2 [Nm]	sf	i		Versione motore Motor version
140							
(3000 min ⁻¹)	120	8.1	1.5	25.01		ECP100/522	120/240/24E
	112	8.7	1.4	26.85			
	104	9.3	1.3	28.93			
	86	11	1.1	34.97			
	66	15	0.8	45.56			
	59	15	1.6	50.89		ECP100/523	120/240/24E
	51	18	1.4	58.85			
	44	20	1.2	68.06			
	42	21	1.2	71.16			
	38	24	1.1	78.71			
	32	28	0.9	92.70			
	32	29	0.9	95.17			
	30	30	0.8	99.50			
	28	32	0.8	107.20			
	26	35	0.7	115.07			
	24	36	0.7	123.97			
	23	36	0.7	129.62			
	22	36	0.7	139.13			
	20	36	0.7	149.90			
	18	36	0.7	168.84			
	17	36	0.7	181.24			
	15	36	0.7	195.26			
	13	36	0.7	236.09			
	9.8	36	0.7	307.54			
	444	2.3	3.4	6.75		ECP100/621	120/240/24E
	156	6.2	4.0	19.20		ECP100/622	120/240/24E
	135	7.2	3.5	22.20			
	120	8.1	3.1	25.01			
	112	8.7	2.9	26.85			
	104	9.3	2.7	28.93			
	86	11	2.2	34.97			
	66	15	1.7	45.56			
	59	15	3.3	50.89		ECP100/623	120/240/24E
	51	18	2.8	58.85			
	44	20	2.4	68.06			
	42	21	2.3	71.16			
	38	24	2.1	78.71			
	32	28	1.8	92.70			
	32	29	1.7	95.17			
	30	30	1.7	99.50			
	28	32	1.5	107.20			
	26	35	1.4	115.07			
	24	37	1.3	123.97			
	23	39	1.3	129.62			
	22	42	1.2	139.13			
	20	45	1.1	149.90			
	18	51	1.0	168.84			
	17	55	0.9	181.24			
	15	59	0.9	195.26			
	13	71	0.7	236.09			
	9.8	71	0.7	307.54			
	86	11	3.7	34.97		ECP100/722	120/240/24E
	66	15	2.9	45.56			

	P_1 [W]	n_2 [min ⁻¹]	M_2 [Nm]	sf	i		Versione motore Motor version
140							
(3000 min ⁻¹)	44	20	4.1	68.06		ECP100/723	120/240/24E
	42	21	3.9	71.16			
	38	24	3.5	78.71			
	32	28	3.0	92.70			
	32	29	2.9	95.17			
	30	30	2.8	99.50			
	28	32	2.6	107.20			
	26	35	2.4	115.07			
	24	37	2.3	123.97			
	23	39	2.2	129.62			
	22	42	2.0	139.13			
	20	45	1.9	149.90			
	18	51	1.7	168.84			
	17	55	1.5	181.24			
	15	59	1.4	195.26			
	13	71	1.2	236.09			
	9.8	93	0.9	307.54			
	32	28	4.3	92.70		ECP100/813	120/240/24E
	32	29	4.2	95.17			
	30	30	4.0	99.50			
	28	32	3.7	107.20			
	26	35	3.5	115.07			
	24	37	3.2	123.97			
	23	39	3.1	129.62			
	22	42	2.9	139.13			
	20	45	2.7	149.90			
	18	51	2.4	168.84			
	17	55	2.2	181.24			
	15	59	2.0	195.26			
	13	71	1.7	236.09			
	9.8	93	1.3	307.54			
250							
(3000 min ⁻¹)	811	2.4	1.7	3.70		EC180/521	120/240
	701	2.7	1.5	4.28			
	579	3.3	1.2	5.18			
	444	4.3	0.9	6.75			
	218	8.2	1.5	13.73		EC180/522	120/240
	189	9.5	1.3	15.88			
	163	11	1.1	18.36			
	156	12	1.0	19.20			
	135	13	0.9	22.20			
	120	15	0.8	25.01			
	112	16	0.7	26.85			
	104	17	0.7	28.93			
	86	17	0.7	34.97			
	66	17	0.7	45.56			
	59	28	0.9	50.89		EC180/523	120/240
	51	33	0.8	58.85			
	44	36	0.7	68.06			
	42	36	0.7	71.16			
	38	36	0.7	78.71			
	32	36	0.7	92.70			
	32	36	0.7	95.17			
	30	36	0.7	99.50			
	28	36	0.7	107.20			

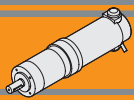


Dati tecnici per servizio S2

Technical data for S2 duty


P_1 [W]	n_2 [min ⁻¹]	M_2 [Nm]	sf	i		Versione motore Motor version	P_1 [W]	n_2 [min ⁻¹]	M_2 [Nm]	sf	i		Versione motore Motor version		
250							250								
(3000 min ⁻¹)	26	36	0.7	115.07	EC180/523	120/240	(3000 min ⁻¹)	38	44	1.9	78.71	EC180/723	120/240/24E		
	24	36	0.7	123.97				32	52	1.6	92.70				
	23	36	0.7	129.62				32	53	1.6	95.17				
	22	36	0.7	139.13				30	56	1.5	99.50				
	20	36	0.7	149.90				28	60	1.4	107.20				
	18	36	0.7	168.84				26	64	1.3	115.07				
	17	36	0.7	181.24				24	69	1.2	123.97				
	15	36	0.7	195.26				23	73	1.2	129.62				
	13	36	0.7	236.09				22	78	1.1	139.13				
	9.8	36	0.7	307.54				20	84	1.0	149.90				
	811	2.4	3.4	3.70	EC180/621	120/240/24E		18	95	0.9	168.84				
	701	2.7	2.9	4.28				17	101	0.8	181.24				
	579	3.3	2.4	5.18				15	109	0.8	195.26				
	444	4.3	1.9	6.75				13	120	0.7	236.09				
	218	8.2	3.0	13.73	EC180/622	120/240/24E		9.8	120	0.7	307.54				
	189	9.5	2.6	15.88				120	15	4.0	25.01	EC180/812	120/240/24E		
	163	11	2.3	18.36				112	16	3.7	26.85				
	156	12	2.2	19.20				104	17	3.5	28.93				
	135	13	1.9	22.20				86	21	2.9	34.97				
	120	15	1.7	25.01				66	27	2.2	45.56				
	112	16	1.6	26.85				51	33	3.6	58.85			EC180/813	120/240/24E
	104	17	1.4	28.93				44	38	3.1	68.06				
	86	21	1.2	34.97				42	40	3.0	71.16				
	66	27	0.9	45.56				38	44	2.7	78.71				
	59	28	1.8	50.89	EC180/623	120/240/24E		32	52	2.3	92.70				
	51	33	1.5	58.85				32	53	2.3	95.17				
	44	38	1.3	68.06				30	56	2.2	99.50				
	42	40	1.3	71.16				28	60	2.0	107.20				
	38	44	1.1	78.71				26	64	1.9	115.07				
	32	52	1.0	92.70				24	69	1.7	123.97				
	32	53	0.9	95.17				23	73	1.7	129.62				
	30	56	0.9	99.50				22	78	1.5	139.13				
	28	60	0.8	107.20				20	84	1.4	149.90				
	26	64	0.8	115.07				18	95	1.3	168.84				
	24	69	0.7	123.97		17	101	1.2	181.24						
	23	71	0.7	129.62		15	109	1.1	195.26						
	22	71	0.7	139.13		13	132	0.9	236.09						
	20	71	0.7	149.90		9.8	172	0.7	307.54						
	18	71	0.7	168.84		32	52	3.8	92.70	EC180/1053	120/240/24E				
	17	71	0.7	181.24		32	53	3.7	95.17						
	15	71	0.7	195.26		30	56	3.5	99.50						
	13	71	0.7	236.09		28	60	3.2	107.20						
	9.8	71	0.7	307.54		26	64	3.0	115.07						
	163	11	3.8	18.36	EC180/722	120/240/24E		24	69			2.8	123.97		
	156	12	3.6	19.20				23	73			2.7	129.62		
	135	13	3.2	22.20				22	78			2.5	139.13		
	120	15	2.8	25.01				20	84			2.3	149.90		
	112	16	2.6	26.85				18	95			2.1	168.84		
	104	17	2.4	28.93				17	101	1.9	181.24				
	86	21	2.0	34.97				15	109	1.8	195.26				
	66	27	1.5	45.56				13	132	1.5	236.09				
	59	28	2.9	50.89			EC180/723	120/240/24E		9.8	172	1.1	307.54		
	51	33	2.5	58.85						22	78	3.9	139.13	EC180/1203	120/240/24E
	44	38	2.2	68.06		20			84	3.6	149.90				
	42	40	2.1	71.16		18			95	3.2	168.84				


ECP

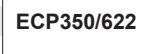


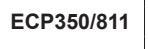
Dati tecnici per servizio S2

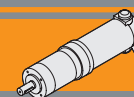
Technical data for S2 duty

P_1 [W]	n_2 [min ⁻¹]	M_2 [Nm]	sf	i		Versione motore Motor version
250						
(3000 min ⁻¹)	17	101	3.0	181.24	EC180/1203	120/240/24E
	15	109	2.7	195.26		
	13	132	2.3	236.09		
	9.8	172	1.7	307.54		

P_1 [W]	n_2 [min ⁻¹]	M_2 [Nm]	sf	i		Versione motore Motor version
500						
(3000 min ⁻¹)	59	56	1.5	50.89	ECP350/723	120/240
	51	65	1.3	58.85		
	44	75	1.1	68.06		
	42	78	1.1	71.16		
	38	87	1.0	78.71		
	32	102	0.8	92.70		
	32	105	0.8	95.17		
	30	109	0.8	99.50		
	28	118	0.7	107.20		
	26	120	0.7	115.07		
	24	120	0.7	123.97		
	23	120	0.7	129.62		
	22	120	0.7	139.13		
	20	120	0.7	149.90		
	18	120	0.7	168.84		
	17	120	0.7	181.24		
	15	120	0.7	195.26		
	13	120	0.7	236.09		
	9.8	120	0.7	307.54		


P_1 [W]	n_2 [min ⁻¹]	M_2 [Nm]	sf	i		Versione motore Motor version				
500										
(3000 min ⁻¹)	811	4.6	1.7	3.70	ECP350/621	120/240				
	701	5.4	1.5	4.28						
	579	6.5	1.2	5.18						
	444	8.5	0.9	6.75						
	(3000 min ⁻¹)	218	16	1.5	13.73	ECP350/622	120/240			
		189	19	1.3	15.88					
		163	22	1.2	18.36					
		156	23	1.1	19.20					
		135	26	1.0	22.20					
		120	29	0.8	25.01					
		112	32	0.8	26.85					
		104	34	0.7	28.93					
		86	36	0.7	34.97					
		66	36	0.7	45.56					
		(3000 min ⁻¹)	59	56	0.9			50.89	ECP350/623	120/240
			51	65	0.8			58.85		
			44	71	0.7			68.06		
			42	71	0.7			71.16		
			38	71	0.7			78.71		
			32	71	0.7			92.70		
32	71		0.7	95.17						
30	71		0.7	99.50						
28	71		0.7	107.20						
26	71		0.7	115.07						
24	71		0.7	123.97						
23	71		0.7	129.62						
22	71		0.7	139.13						
20	71		0.7	149.90						
18	71		0.7	168.84						
17	71		0.7	181.24						
15	71	0.7	195.26							
13	71	0.7	236.09							
9.8	71	0.7	307.54							
(3000 min ⁻¹)	811	4.6	3.0	3.70	ECP350/721	120/240				
	701	5.4	2.6	4.28						
	579	6.5	2.2	5.18						
	444	8.5	1.7	6.75						
(3000 min ⁻¹)	218	16	2.6	13.73	ECP350/722	120/240				
	189	19	2.2	15.88						
	163	22	1.9	18.36						
	156	23	1.9	19.20						
	135	26	1.6	22.20						
	120	29	1.4	25.01						
	112	32	1.3	26.85						
	104	34	1.2	28.93						
	86	41	1.0	34.97						
	66	54	0.8	45.56						


P_1 [W]	n_2 [min ⁻¹]	M_2 [Nm]	sf	i		Versione motore Motor version			
(3000 min ⁻¹)	701	5.4	3.7	4.28	ECP350/811	120/240			
	579	6.5	3.1	5.18					
	444	8.5	2.4	6.75					
(3000 min ⁻¹)	218	16	3.7	13.73	ECP350/812	120/240			
	189	19	3.2	15.88					
	163	22	2.8	18.36					
	156	23	2.7	19.20					
	135	26	2.3	22.20					
	120	29	2.0	25.01					
	112	32	1.9	26.85					
	104	34	1.8	28.93					
	86	41	1.5	34.97					
	66	54	1.1	45.56					
(3000 min ⁻¹)	59	56	2.1	50.89	ECP350/813	120/240			
	51	65	1.9	58.85					
	44	75	1.6	68.06					
	42	78	1.5	71.16					
	38	87	1.4	78.71					
	32	102	1.2	92.70					
	32	105	1.1	95.17					
	30	109	1.1	99.50					
	28	118	1.0	107.20					
	26	126	0.9	115.07					
	24	136	0.9	123.97					
	23	142	0.8	129.62					
(3000 min ⁻¹)	22	153	0.8	139.13	ECP350/813	120/240			
	20	165	0.7	149.90					
	18	171	0.7	168.84					
	17	171	0.7	181.24					
	15	171	0.7	195.26					
	13	171	0.7	236.09					
	9.8	171	0.7	307.54					
	(3000 min ⁻¹)	120	29	3.6			25.01	ECP350/1052	120/240
		112	32	3.3			26.85		
		104	34	3.1			28.93		
		86	41	2.5			34.97		
		66	54	2.0			45.56		



Dati tecnici per servizio S2

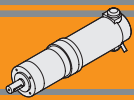
Technical data for S2 duty

P_1 [W]	n_2 [min ⁻¹]	M_2 [Nm]	sf	i		Versione motore Motor version																																																																																					
500																																																																																											
(3000 min ⁻¹)	59	56	3.5	50.89	ECP350/1053	120/240																																																																																					
	51	65	3.0	58.85																																																																																							
	44	75	2.6	68.06																																																																																							
	42	78	2.5	71.16																																																																																							
	38	87	2.3	78.71																																																																																							
	32	102	1.9	92.70																																																																																							
	32	105	1.9	95.17																																																																																							
	30	109	1.8	99.50																																																																																							
	28	118	1.7	107.20																																																																																							
	26	126	1.5	115.07																																																																																							
	24	136	1.4	123.97																																																																																							
	23	142	1.4	129.62																																																																																							
	22	153	1.3	139.13																																																																																							
	20	165	1.2	149.90																																																																																							
	18	186	1.1	168.84																																																																																							
	17	199	1.0	181.24																																																																																							
	15	215	0.9	195.26																																																																																							
	13	259	0.8	236.09																																																																																							
	9.8	279	0.7	307.54																																																																																							
	86	41	3.6	34.97	ECP350/1202	120/240																																																																																					
	66	54	2.8	45.56				44	75	4.0	68.06	ECP350/1203	120/240		42	78	3.8	71.16		38	87	3.5	78.71		32	102	2.9	92.70		32	105	2.9	95.17		30	109	2.7	99.50		28	118	2.5	107.20		26	126	2.4	115.07		24	136	2.2	123.97		23	142	2.1	129.62		22	153	2.0	139.13		20	165	1.8	149.90		18	186	1.6	168.84		17	199	1.5	181.24		15	215	1.4	195.26		13	259	1.2	236.09		9.8	338
	44	75	4.0	68.06	ECP350/1203	120/240																																																																																					
	42	78	3.8	71.16																																																																																							
	38	87	3.5	78.71																																																																																							
	32	102	2.9	92.70																																																																																							
	32	105	2.9	95.17																																																																																							
	30	109	2.7	99.50																																																																																							
	28	118	2.5	107.20																																																																																							
	26	126	2.4	115.07																																																																																							
	24	136	2.2	123.97																																																																																							
	23	142	2.1	129.62																																																																																							
	22	153	2.0	139.13																																																																																							
	20	165	1.8	149.90																																																																																							
	18	186	1.6	168.84																																																																																							
	17	199	1.5	181.24																																																																																							
	15	215	1.4	195.26																																																																																							
	13	259	1.2	236.09																																																																																							
	9.8	338	0.9	307.54																																																																																							

P_1 [W]	n_2 [min ⁻¹]	M_2 [Nm]	sf	i		Versione motore Motor version																																																																																																																																																																									
800																																																																																																																																																																															
(3000 min ⁻¹)	59	90	0.9	50.89	ECP600/723	120/240																																																																																																																																																																									
	51	105	0.8	58.85																																																																																																																																																																											
	44	120	0.7	68.06																																																																																																																																																																											
	42	120	0.7	71.16																																																																																																																																																																											
	38	120	0.7	78.71																																																																																																																																																																											
	32	120	0.7	92.70																																																																																																																																																																											
	32	120	0.7	95.17																																																																																																																																																																											
	30	120	0.7	99.50																																																																																																																																																																											
	28	120	0.7	107.20																																																																																																																																																																											
	26	120	0.7	115.07																																																																																																																																																																											
	24	120	0.7	123.97																																																																																																																																																																											
	23	120	0.7	129.62																																																																																																																																																																											
	22	120	0.7	139.13																																																																																																																																																																											
	20	120	0.7	149.90																																																																																																																																																																											
	18	120	0.7	168.84																																																																																																																																																																											
	17	120	0.7	181.24																																																																																																																																																																											
	15	120	0.7	195.26																																																																																																																																																																											
	13	120	0.7	236.09																																																																																																																																																																											
	9.8	120	0.7	307.54																																																																																																																																																																											
	811	7.5	2.7	3.70	ECP600/811	120/240																																																																																																																																																																									
	701	8.7	2.3	4.28																																																																																																																																																																											
	579	11	1.9	5.18				444	14	1.5	6.75	ECP600/812	120/240		218	26	2.3	13.73		189	30	2.0	15.88		163	35	1.7	18.36		156	37	1.6	19.20		135	42	1.4	22.20		120	48	1.3	25.01		112	51	1.2	26.85		104	55	1.1	28.93		86	67	0.9	34.97		66	86	0.7	45.56		59	90	1.3	50.89	ECP600/813	120/240		51	105	1.1	58.85		44	121	1.0	68.06		42	127	0.9	71.16		38	140	0.9	78.71		32	165	0.7	92.70		32	169	0.7	95.17		30	171	0.7	99.50		28	171	0.7	107.20		26	171	0.7	115.07		24	171	0.7	123.97		23	171	0.7	129.62		22	171	0.7	139.13		20	171	0.7	149.90		18	171	0.7	168.84		17	171	0.7	181.24		15	171	0.7	195.26		13	171	0.7	236.09		9.8	171	0.7	307.54		701	8.7	4.0	4.28	ECP600/1051	120/240		579	11	3.3	5.18		444	14
	444	14	1.5	6.75	ECP600/812	120/240																																																																																																																																																																									
	218	26	2.3	13.73																																																																																																																																																																											
	189	30	2.0	15.88																																																																																																																																																																											
	163	35	1.7	18.36																																																																																																																																																																											
	156	37	1.6	19.20																																																																																																																																																																											
	135	42	1.4	22.20																																																																																																																																																																											
	120	48	1.3	25.01																																																																																																																																																																											
	112	51	1.2	26.85																																																																																																																																																																											
	104	55	1.1	28.93																																																																																																																																																																											
	86	67	0.9	34.97																																																																																																																																																																											
	66	86	0.7	45.56																																																																																																																																																																											
	59	90	1.3	50.89	ECP600/813	120/240																																																																																																																																																																									
	51	105	1.1	58.85																																																																																																																																																																											
	44	121	1.0	68.06																																																																																																																																																																											
	42	127	0.9	71.16																																																																																																																																																																											
	38	140	0.9	78.71																																																																																																																																																																											
	32	165	0.7	92.70																																																																																																																																																																											
	32	169	0.7	95.17																																																																																																																																																																											
	30	171	0.7	99.50																																																																																																																																																																											
	28	171	0.7	107.20																																																																																																																																																																											
	26	171	0.7	115.07																																																																																																																																																																											
	24	171	0.7	123.97																																																																																																																																																																											
	23	171	0.7	129.62																																																																																																																																																																											
	22	171	0.7	139.13																																																																																																																																																																											
	20	171	0.7	149.90																																																																																																																																																																											
	18	171	0.7	168.84																																																																																																																																																																											
	17	171	0.7	181.24																																																																																																																																																																											
	15	171	0.7	195.26																																																																																																																																																																											
	13	171	0.7	236.09																																																																																																																																																																											
	9.8	171	0.7	307.54																																																																																																																																																																											
	701	8.7	4.0	4.28	ECP600/1051	120/240																																																																																																																																																																									
	579	11	3.3	5.18																																																																																																																																																																											
	444	14	2.6	6.75																																																																																																																																																																											



800																																																								
(3000 min ⁻¹)	811	7.5	1.9	3.70	ECP600/721	120/240																																																		
	701	8.7	1.6	4.28																																																				
	579	11	1.3	5.18																																																				
	444	14	1.0	6.75				218	26	1.6	13.73	ECP600/722	120/240		189	30	1.4	15.88		163	35	1.2	18.36		156	37	1.1	19.20		135	42	1.0	22.20		120	48	0.9	25.01		112	51	0.8	26.85		104	55	0.8	28.93		86	60	0.7	34.97		66	60
	218	26	1.6	13.73	ECP600/722	120/240																																																		
	189	30	1.4	15.88																																																				
	163	35	1.2	18.36																																																				
	156	37	1.1	19.20																																																				
	135	42	1.0	22.20																																																				
	120	48	0.9	25.01																																																				
	112	51	0.8	26.85																																																				
	104	55	0.8	28.93																																																				
	86	60	0.7	34.97																																																				
	66	60	0.7	45.56																																																				





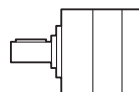
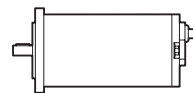
Dati tecnici per servizio S2

Technical data for S2 duty

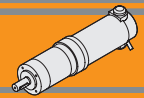
P_1 [W]	n_2 [min ⁻¹]	M_2 [Nm]	sf	i		Versione motore Motor version	P_1 [W]	n_2 [min ⁻¹]	M_2 [Nm]	sf	i		Versione motore Motor version			
800							800									
(3000 min ⁻¹)	218	26	4.0	13.73	ECP600/1052	120/240	(3000 min ⁻¹)	135	42	3.5	22.20	ECP600/1202	120/240			
	189	30	3.5	15.88					120	48	3.1			25.01		
	163	35	3.0	18.36					112	51	2.9			26.85		
	156	37	2.9	19.20					104	55	2.7			28.93		
	135	42	2.5	22.20					86	67	2.3			34.97		
	120	48	2.2	25.01					66	87	1.7			45.56		
	112	51	2.1	26.85												
	104	55	1.9	28.93					59	90	3.3			50.89	ECP600/1203	120/240
	86	67	1.6	34.97					51	105	2.9			58.85		
	66	87	1.2	45.56					44	121	2.5			68.06		
							42	127	2.4	71.16						
	59	90	2.2	50.89	ECP600/1053	120/240	38	140	2.1	78.71						
	51	105	1.9	58.85					32	165	1.8	92.70				
	44	121	1.6	68.06					32	169	1.8	95.17				
	42	127	1.5	71.16					30	177	1.7	99.50				
	38	140	1.4	78.71					28	191	1.6	107.20				
	32	165	1.2	92.70					26	205	1.5	115.07				
	32	169	1.2	95.17					24	220	1.4	123.97				
	30	177	1.1	99.50					23	230	1.3	129.62				
	28	191	1.0	107.20					22	247	1.2	139.13				
	26	205	1.0	115.07					20	267	1.1	149.90				
	24	220	0.9	123.97			18	300	1.0	168.84						
	23	230	0.8	129.62			17	322	0.9	181.24						
	22	247	0.8	139.13			15	347	0.9	195.26						
	20	267	0.7	149.90			13	420	0.7	236.09						
	18	279	0.7	168.84			9.8	429	0.7	307.54						
	17	279	0.7	181.24												
	15	279	0.7	195.26												
	13	279	0.7	236.09												
	9.8	279	0.7	307.54												

Motori applicabili

IEC Motor adapters



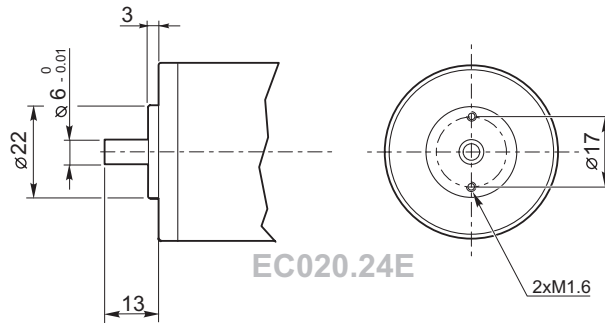
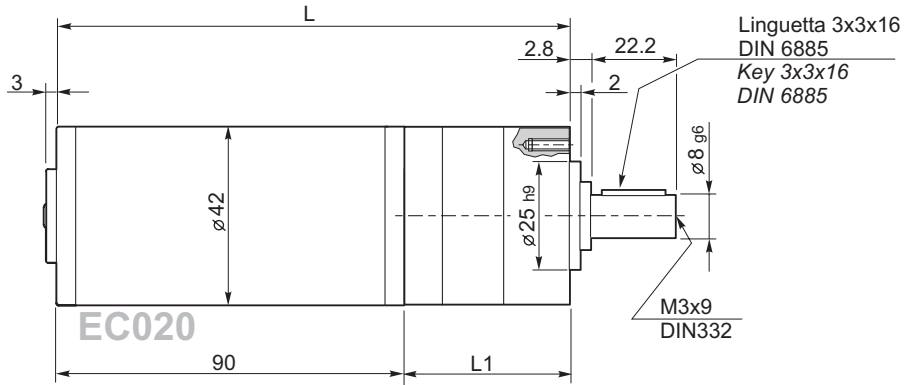
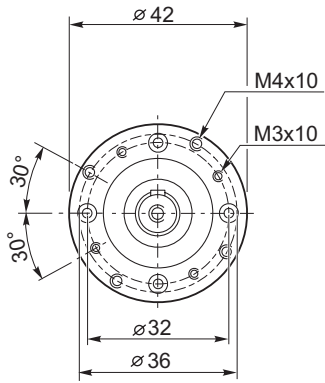
		EC								
		020.120 020.24E	035.120 035.240	050.120 050.240	070.120 070.240	100.120 100.240 100.24E	180.120 180.240	180.24E	350.120 350.240	600.120 600.240
P	42									
	52									
	62									
	72									
	81									
	105									
	120									



Dimensioni

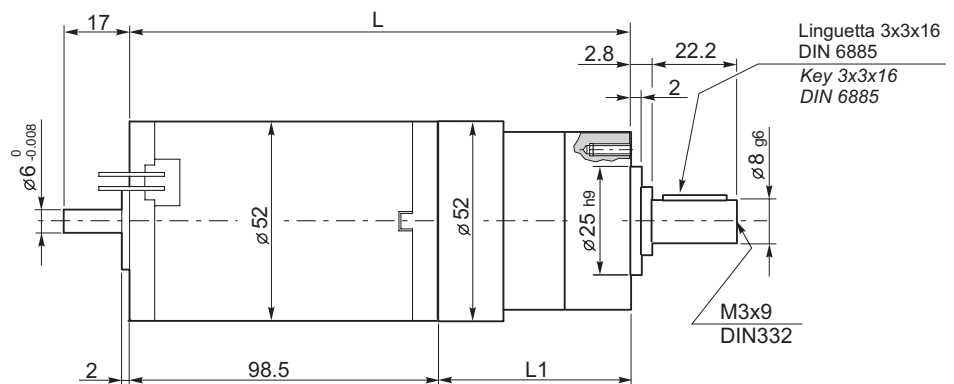
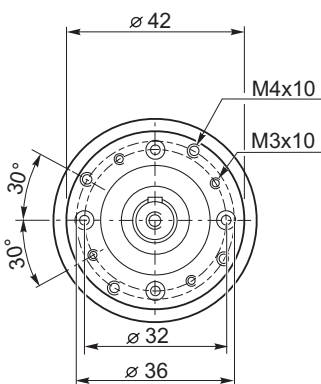
Dimensions

ECP020/42... U



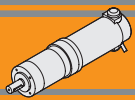
	Numero di stadi / Stages number		
ECP020/42...	1	2	3
L1	60	73	86
L	150	163	176

ECP035/42... U



	Numero di stadi / Stages number		
ECP035/42...	1	2	3
L1	60	73	86
L	158.5	171.5	184.5

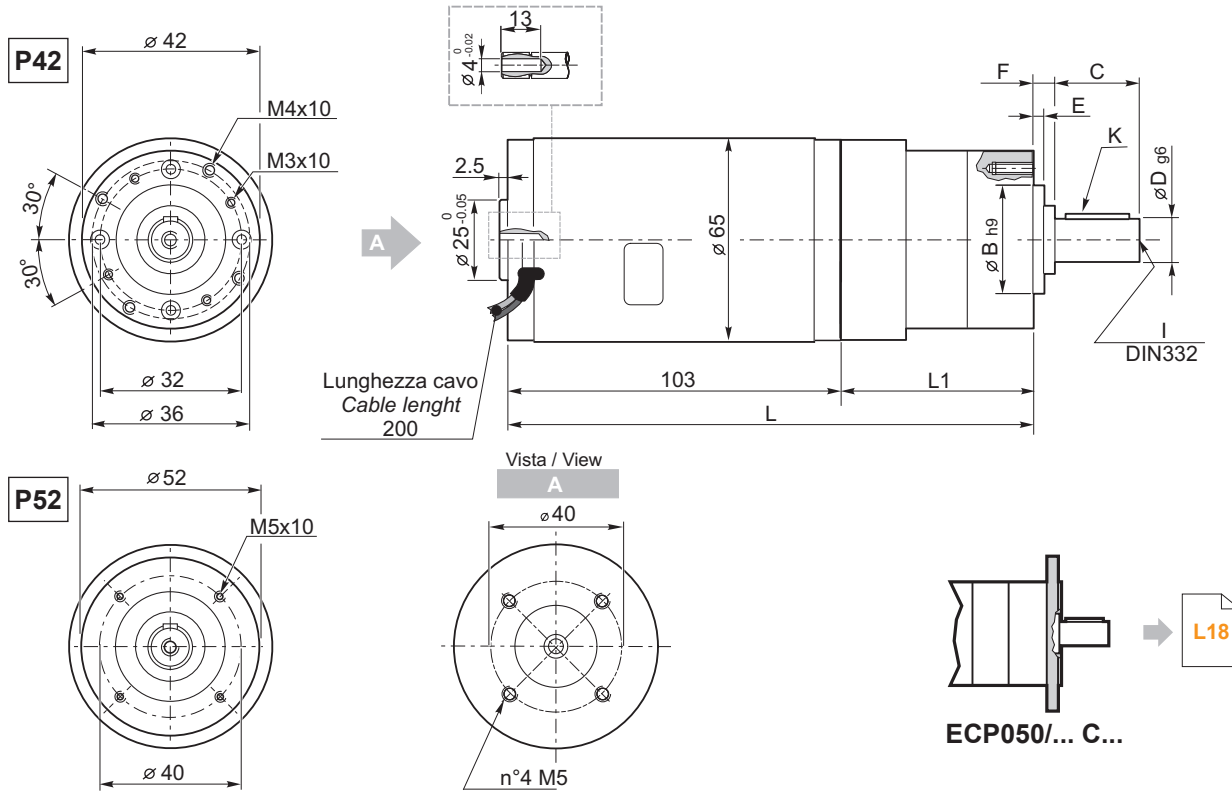
ECP



Dimensioni

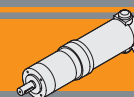
Dimensions

ECP050/... U



ECP050/... C...

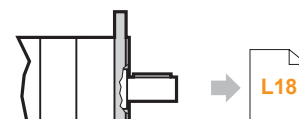
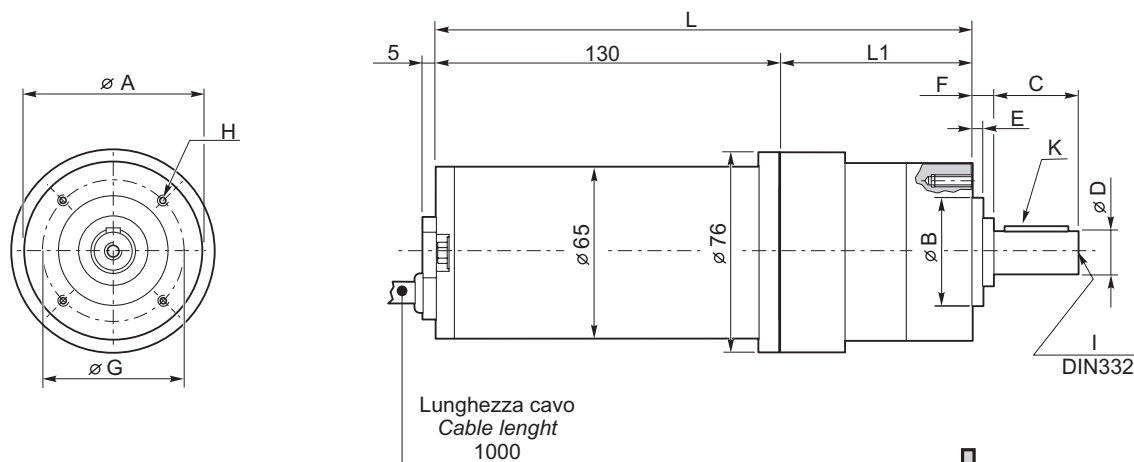
Tipo Type	Numero di stadi Stages number	Dimensioni / Dimensions								
		L1	L	B	C	D	E	F	I	K
ECP050/42...	1	60	163	25 h9	22.2	8 g6	2	2.8	M3x9	3x3x16
	2	73	176							
	3	86	189							
ECP050/52...	1	72.5	175.5	32 h8	20.8	12 h7	3	4.2	M4x10	4x4x16
	2	86.5	189.5							
	3	100.5	203.5							



Dimensioni

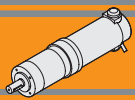
Dimensions

ECP070/... U



ECP070/... C...

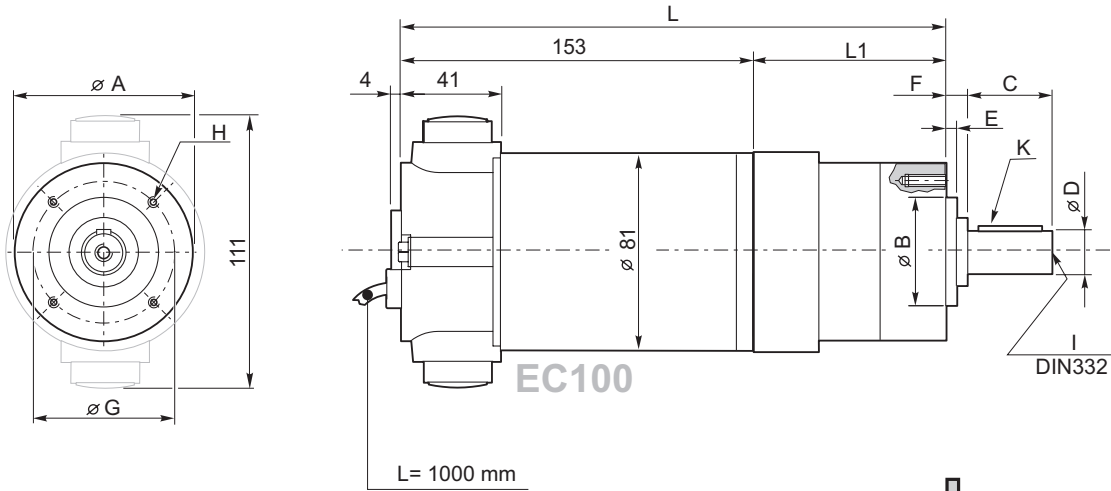
Tipo Type	Numero di stadi Stages number	Dimensioni / Dimensions											
		L1	L	A	B	C	D	E	F	G	H	I	K
ECP070/52...	1	76	206	52	32 h8	20.8	12 h7	3	4.2	40	M5x10	M4x10	4x4x16
	2	90	220										
	3	104.5	234.5										
ECP070/62...	1	74	204	62	40 j7	30	14 h7	5	9	52	M5x10	M5x12	5x5x18
	2	90	220										
	3	106	236										
ECP070/72...	1	78	208	72	45 j7	40	16 h7	5	9	60	M5x10	M5x12	5x5x30
	2	97.5	227.5										
	3	117	247										
ECP070/81...	1	91	221	81	50 j7	40	19 h7	5	9	65	M6x12	M6x16	6x6x28
	2	113	243										
	3	135	265										



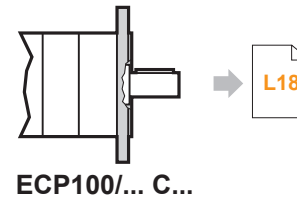
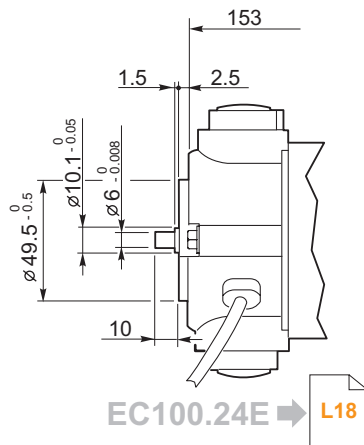
Dimensioni

Dimensions

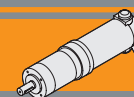
ECP100/... U... 120/140



ECP100/... U... 24E



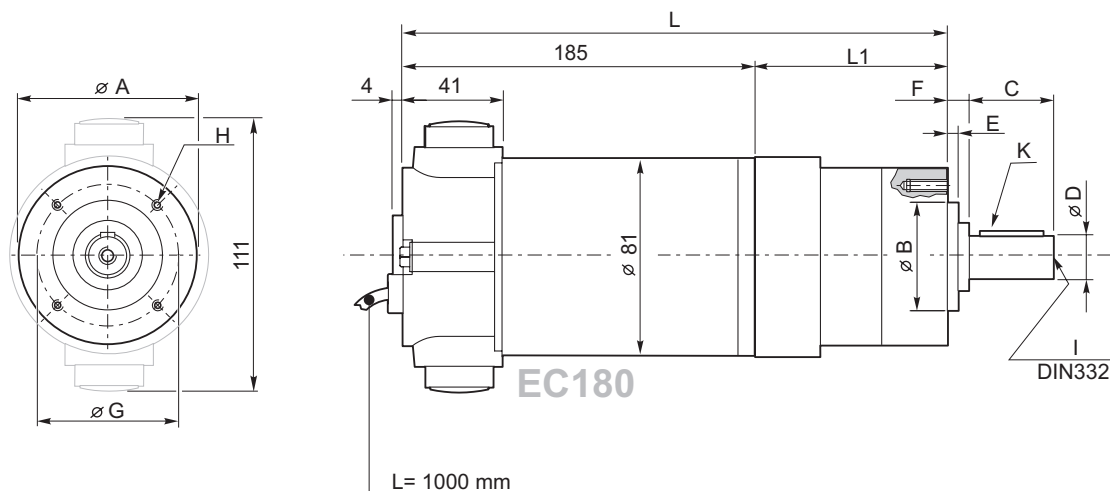
Tipo Type	Numero di stadi Stages number	Dimensioni / Dimensions											
		L1	L	A	B	C	D	E	F	G	H	I	K
ECP100/52...	1	74	227	52	32 h8	20.8	12 h7	3	4.2	40	M5x10	M4x10	4x4x16
	2	88	241										
	3	102	255										
ECP100/62...	1	74	227	62	40 j7	30	14 h7	5	9	52	M5x10	M5x12	5x5x18
	2	90	243										
	3	106	259										
ECP100/72...	1	78	231	72	45 j7	40	16 h7	5	9	60	M5x10	M5x12	5x5x30
	2	97.5	250.5										
	3	117	270										
ECP100/81...	1	91	244	81	50 j7	40	19 h7	5	9	65	M6x12	M6x16	6x6x28
	2	113	266										
	3	135	288										



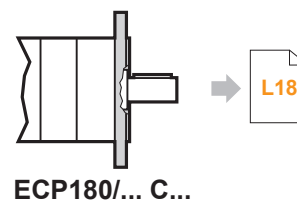
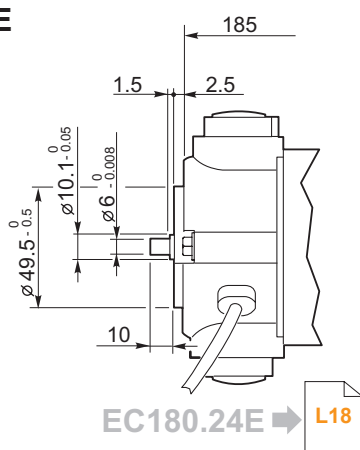
Dimensioni

Dimensions

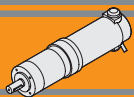
ECP180/... U... 120/240



ECP180/... U... 24E



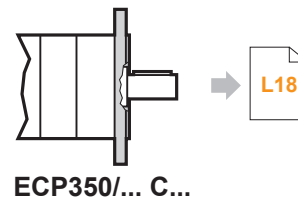
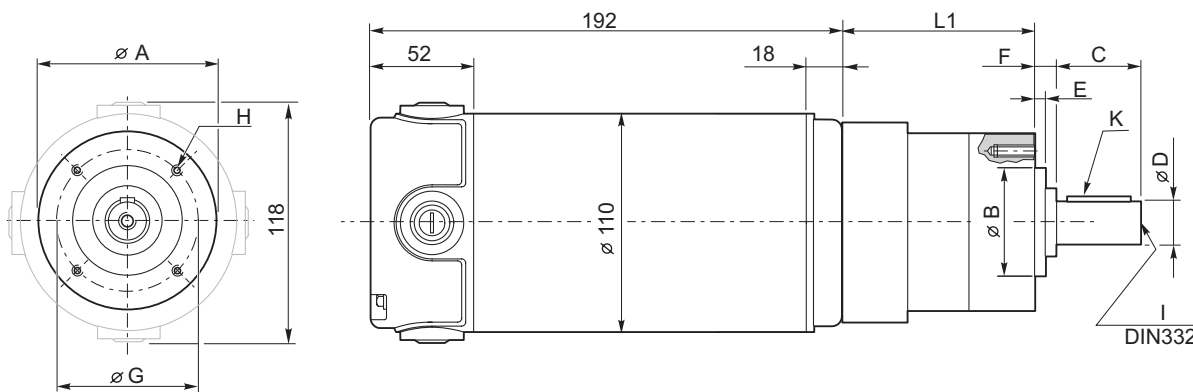
Tipo Type	Numero di stadi Stages number	Dimensioni / Dimensions													
		EC180		EC180.24E		EC180 - EC180.24E									
		L1	L	L1	L	A	B	C	D	E	F	G	H	I	K
ECP180/52...	1	76	261												
	2	90	275			52	32 h8	20.8	12 h7	3	4.2	40	M5x10	M4x10	4x4x16
	3	104.5	289.5												
ECP180/62...	1	74	259	77	264										
	2	90	275	93	280	62	40 j7	30	14 h7	5	9	52	M5x10	M5x12	5x5x18
	3	106	291	109	296										
ECP180/72...	1	78	263	78	268										
	2	97.5	282.5	100.5	287.5	72	45 j7	40	16 h7	5	9	60	M5x10	M5x12	5x5x30
	3	117	302	120	308										
ECP180/81...	1	91	276	94	281										
	2	113	298	116	303	81	50 j7	40	19 h7	5	9	65	M6x12	M6x16	6x6x28
	3	135	320	138	325										
ECP180/105...	1	103.5	288.5	106.5	293.5										
	2	134.5	319.5	137.5	324.5	105	70 j7	50	25 h7	5	9	85	M8x16	M10x22	8x7x40
	3	165.5	350.5	168.5	355.5										
ECP180/120...	1	121	306	124	311										
	2	155	340	158	345	120	80 j7	73	32 k6	5	15	100	M10x22	M12	10x8x50
	3	189.5	374.5	192.5	379.5										



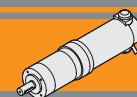
Dimensioni

Dimensions

ECP350/... U



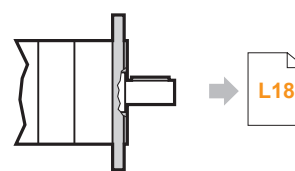
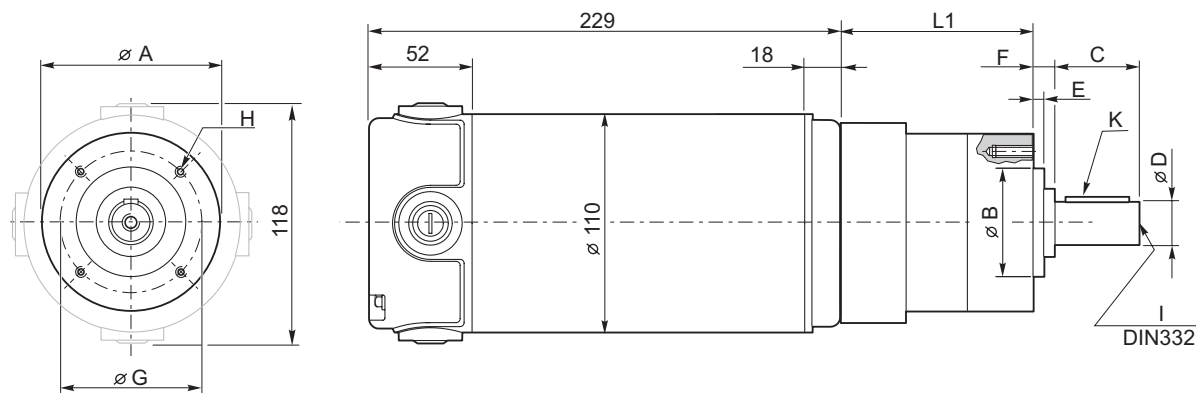
Tipo Type	Numero di stadi Stages number	Dimensioni / Dimensions											
		L1	L	A	B	C	D	E	F	G	H	I	K
ECP350/62...	1	76	268	62	40 j7	30	14 h7	5	9	52	M5x10	M5x12	5x5x18
	2	92	284										
	3	108	300										
ECP350/72...	1	81	273	72	45 j7	40	16 h7	5	9	60	M5x10	M5x12	5x5x30
	2	100.5	292.5										
	3	120	312										
ECP350/81...	1	94	286	81	50 j7	40	19 h7	5	9	65	M6x12	M6x16	6x6x28
	2	116	308										
	3	138	330										
ECP350/105...	1	107.5	299.5	105	70 j7	50	25 h7	5	9	85	M8x16	M10x22	8x7x40
	2	138.5	327.5										
	3	169.5	361.5										
ECP350/120...	1	124	316	120	80 j7	73	32 k6	5	15	100	M10x22	M12	10x8x50
	2	158.5	350.5										
	3	192.5	384.5										



Dimensioni

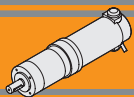
Dimensions

ECP600/... U



ECP600/... C...

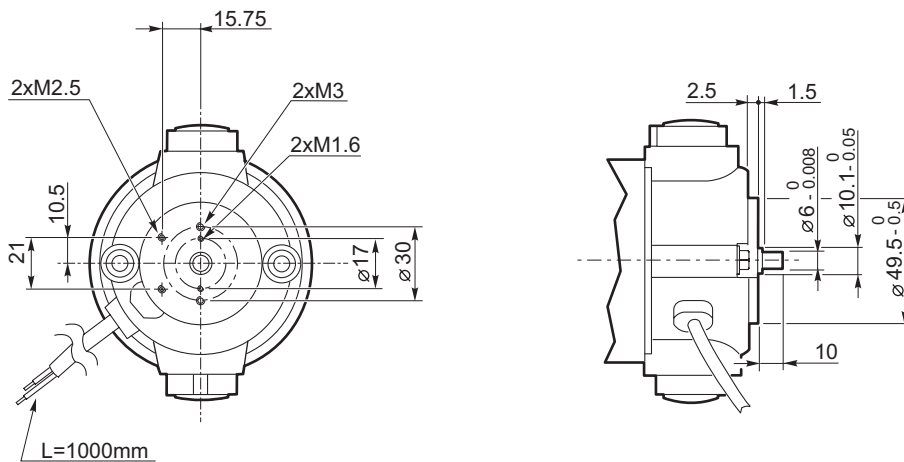
Tipo Type	Numero di stadi Stages number	Dimensioni / Dimensions											
		L1	L	A	B	C	D	E	F	G	H	I	K
ECP600/72...	1	88	317	72	45 j7	40	16 h7	5	9	60	M5x10	M5x12	5x5x30
	2	107.5	336.5										
	3	127	356										
ECP600/81...	1	101	330	81	50 j7	40	19 h7	5	9	65	M6x12	M6x16	6x6x28
	2	123	352										
	3	145	374										
ECP600/105...	1	113.5	342.5	105	70 j7	50	25 h7	5	9	85	M8x16	M10x22	8x7x40
	2	144.5	373.5										
	3	175.5	404.5										
ECP600/120...	1	131	360	120	80 j7	73	32 k6	5	15	100	M10x22	M12	10x8x50
	2	165.5	394.5										
	3	199.5	428.5										



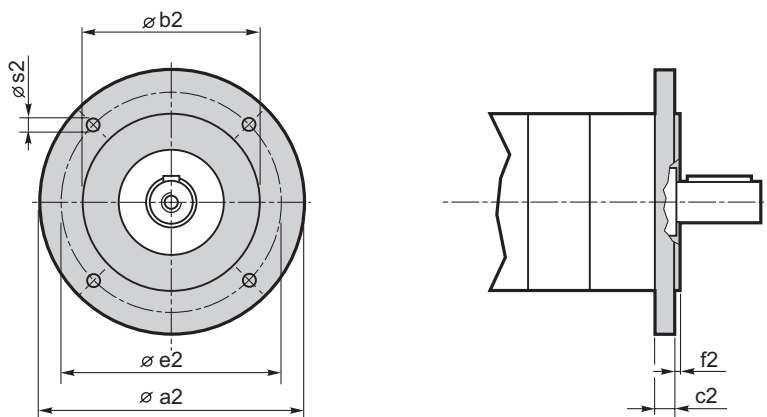
Dimensioni

Dimensions

ECP100.24E
ECP180.24E



ECP.../... C... Flange uscita / Output flanges



Dimensioni / Dimensions

P	a2	b2	c2	e2	f2	s2	Flangia uscita Output flange
52	80	50 j7	9	65	2.5	M5	C80
	90	60 j7	9	75	2.5	5.5	C90
	105	70 j7	9	85	2.5	6.5	C105
	120	80 j7	9	100	3.0	6.5	C120
62	80	50 j7	9	65	2.5	M5	C80
	90	60 j7	9	75	2.5	5.5	C90
	105	70 j7	9	85	2.5	6.5	C105
	120	80 j7	9	100	3.0	6.5	C120
72	80	50 j7	9	65	2.5	M5	C80
	90	60 j7	9	75	2.5	M5	C90
	105	70 j7	9	85	2.5	6.5	C105
	120	80 j7	9	100	3.0	6.5	C120
81	90	60 j7	9	75	2.5	M5	C90
	105	70 j7	9	85	2.5	M6	C105
	120	80 j7	9	100	3.0	6.5	C120
105	120	80 j7	12	100	3	M6	C120
	140	95 j7	12	115	3.5	M8	C140
	160	110 j7	12	130	3.5	M8	C160
120	140	95 j7	15	115	3	M8	C140
	160	110 j7	15	130	3.5	M8	C160